

DATA SHEET

Premium Efficiency Motor: **LAM40-36-324TSC**

60 Hz

WorldWide Electric Corporation

1 (800) 808-2131

Worldwideelectric.net



Document Generated: 18-Jul-2023
Document ID:

Customer:

MOTOR INFORMATION	
HP	40
RPM	3600
Phase	3
Frequency	60 Hz
Voltage	230/460
Frame Size	324/6TSC
Enclosure	TEFC
Degree of Protection	IP55
Service Factor	1.25
Poles	2
Full Load Speed	3550
Insulation Class	F
Temp Rise	80°C
NEMA Code Letter	G
Duty Cycle	S1 / Continuous
Slip	1.39%
NEMA Design	B
Moment of Inertia	2.855 lb.ft.^2
Locked Rotor Time (Hot)	12 seconds
Sound Pressure Level	100 dB(A)
Number of Starts	2 Cold/1 Hot
Max Ambient Temperature	40°C
Max Elevation	1000 m.a.s.l (3300 f.a.s.l)
Mounting	F1
Rotation	Bi-Directional
Area of Classification	Class 1 Division 2 Groups A,B,C,D T3B
Inverter Rating	10:1 CT / 20:1 VT
Standard	NEMA MG-1
Approvals	UL, CE, IEEE45, ABS

EFFICIENCY/POWER FACTOR		
LOAD	EFF	P. F.
100%	92.4 %	0.87
75%	93.2 %	0.85
50%	92.3 %	0.78

TORQUE		
FULL LOAD	LRT	BDT
58.6 lb.ft.	410 %	484 %

AMPERAGE INFORMATION		
	230V	460V
Full Load Amps	92.8A	46.4
Locked Rotor Amps	572A	286A
No Load Current	28.4A	14.2A
Usable at 208V		102.6 A

BEARING INFORMATION	
DE Bearing	6314 C3
ODE Bearing	6212 C3
Grease Type	Mobil Polyrex EM
DE Regreasing Interval	2400 Hours
ODE Regreasing Interval	3600 Hours
Grease Quantity	26g/12g

ADDITIONAL DATA	
F2 Suitable	Yes
Shaft Material	AISI 1045
Connection Diagram	12 Lead Delta
Approximate Weight	530 lbs.

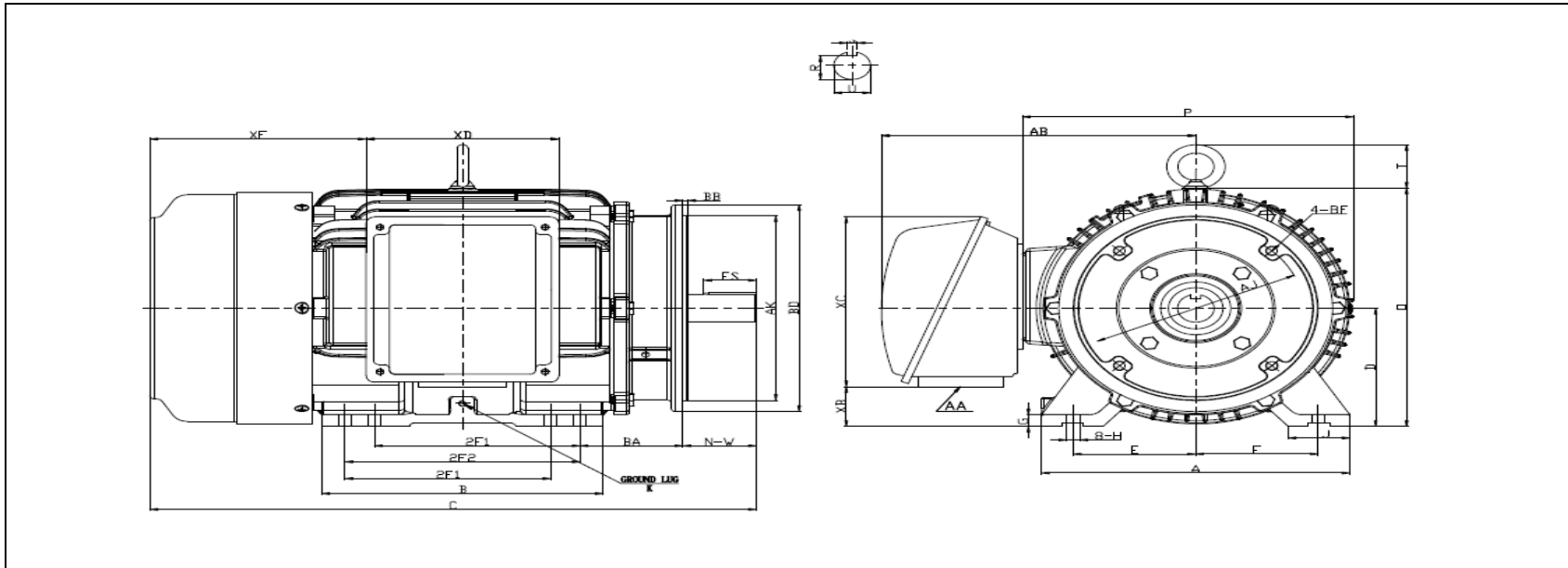
MOTOR DRAWING

Premium Efficiency Motor: **LAM40-36-324TSC**

WorldWide Electric Corporation

1 (800) 808-2131

Worldwideelectric.net



DIMENSION - INCHES

MOUNTING					A	B	C	D	G	P	O	T	AB
E	2F1	2F2	H	BA									
6.25	10.5	12	0.66	5.25	15.75	14.37	31.17	8	0.984	16.5	16.19	2.42	2.7

SHAFT & KEY				
S	ES	R	N-W	U
0.5	2.03	1.591	3.75	1.875

TERMINAL BOX				
AA	XB	XC	XD	XE
2 NPT	2.7	11.27	9.17	11.1

GROUND LUG
M8

FLANGE				
AK	BD	AJ	BF	BB
12.5	14	11	4*5/8-11	0.25

PERFORMANCE CURVES

Premium Efficiency Motor:

LAM40-36-324TSC

WorldWide Electric Corporation

1 (800) 808-2131

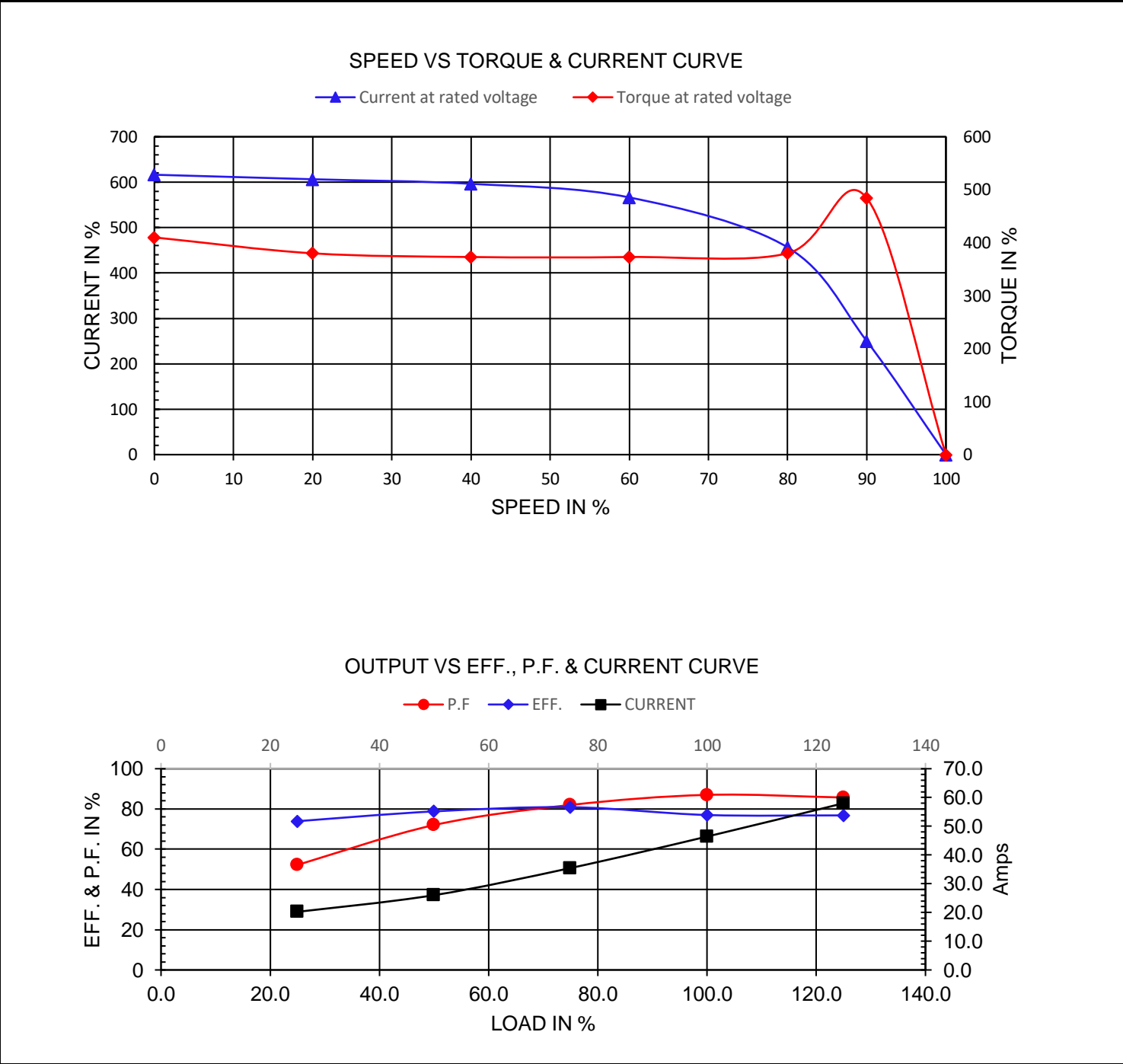
Worldwideelectric.net



Document Generated: 18-Jul-2023
Document ID:

Customer:

Motor Type	LAM		FL Speed	3550	
Output Rating (HP)	40		LRT (%FLT)	410	460 volt FLA 46.4
Full Load Torque	58.6	lb.ft	BDT (%FLT)	484	230 volt FLA 92.8A
Rotor Wk ²	2.855	lb-ft ²			



NAMEPLATE / WIRING

Premium Efficiency Motor: **LAM40-36-324TSC**

WorldWide Electric Corporation

1 (800) 808-2131

Worldwideelectric.net



Document Generated: 18-Jul-2023
Document ID:

Customer:

SAMPLE NAMEPLATE DATA

		THREE PHASE SEVERE DUTY MOTOR IEEE45																																											
Model :		Encl :	Type :	SN :			<table style="width: 100%; text-align: center;"> <tr> <td>7</td><td>8</td><td>9</td></tr> <tr> <td>6</td><td>4</td><td>5</td></tr> <tr> <td>12</td><td>10</td><td>11</td></tr> <tr> <td>1</td><td>2</td><td>3</td></tr> <tr> <td>L1</td><td>L2</td><td>L3</td></tr> <tr> <td colspan="3">230 V</td></tr> <tr> <td>7</td><td>8</td><td>9</td></tr> <tr> <td>4</td><td>5</td><td>6</td></tr> <tr> <td>12</td><td>10</td><td>11</td></tr> <tr> <td>1</td><td>2</td><td>3</td></tr> <tr> <td>L1</td><td>L2</td><td>L3</td></tr> <tr> <td colspan="3">460 V</td></tr> </table>			7	8	9	6	4	5	12	10	11	1	2	3	L1	L2	L3	230 V			7	8	9	4	5	6	12	10	11	1	2	3	L1	L2	L3	460 V		
7	8	9																																											
6	4	5																																											
12	10	11																																											
1	2	3																																											
L1	L2	L3																																											
230 V																																													
7	8	9																																											
4	5	6																																											
12	10	11																																											
1	2	3																																											
L1	L2	L3																																											
460 V																																													
HP :	Poles :	FR:	Ins:	Duty: Cont	IP :	Max Amb 40°C																																							
Hz :	CODE :		Hz :	HP :	Design :																																								
Volts :	P.F :		Volts :	DE BRG :																																									
Amps :	Eff :		Amps :	ODE BRG :																																									
RPM :	S.F :		RPM :	WT :																																									
			S.F :	Date :																																									
CC306B		LOUIS ALLIS A WORLDWIDE ELECTRIC COMPANY					UL certified Class I, Division II, Groups A,B,C,D T3B																																						

Model:	LAM40-36-324TSC	Encl:	TEFC	Type:	AEH3
HP:	40	Poles	2	FR:	324/6TSC
Hz:	60	CODE:	G	Ins:	F
Volts:	230/460	P.F:	0.87	HP:	40
Amps:	92.8/46.4	Eff:	0.924	Design:	B
RPM:	3550	S.F:	1.25	DE BRG:	6314 C3
				Amps	111.4/55.7
				RPM	2930
				ODE BRG:	6212 C3
				S.F:	1.00
				WT:	530 lbs.