

DATA SHEET

Premium Efficiency Motor: **LAM15-18-254T**

60 Hz

WorldWide Electric Corporation

1 (800) 808-2131

Worldwideelectric.net



Document Generated: 17-Jul-2023
Document ID:

Customer:

MOTOR INFORMATION	
HP	15
RPM	1800
Phase	3
Frequency	60 Hz
Voltage	230/460
Frame Size	254/6T
Enclosure	TEFC
Degree of Protection	IP55
Service Factor	1.25
Poles	4
Full Load Speed	1770
Insulation Class	F
Temp Rise	80°C
NEMA Code Letter	G
Duty Cycle	S1 / Continuous
Slip	1.67%
NEMA Design	B
Moment of Inertia	2.03 lb.ft.^2
Locked Rotor Time (Hot)	12 seconds
Sound Pressure Level	84 dB(A)
Number of Starts	2 Cold/1 Hot
Max Ambient Temperature	40°C
Max Elevation	1000 m.a.s.l (3300 f.a.s.l)
Mounting	Rigid
Rotation	Bi-Directional
Area of Classification	Class 1 Division 2 Groups A,B,C,D T3B
Inverter Rating	10:1 CT / 20:1 VT
Standard	NEMA MG-1
Approvals	UL, CE, IEEE45, ABS

EFFICIENCY/POWER FACTOR		
LOAD	EFF	P. F.
100%	92.4 %	0.86
75%	93.0 %	0.84
50%	92.5 %	0.77

TORQUE		
FULL LOAD	LRT	BDT
43.7 lb.ft.	232 %	252 %

AMPERAGE INFORMATION		
	230V	460V
Full Load Amps	34.6A	17.3A
Locked Rotor Amps	234.4A	117.2A
No Load Current	10.2A	5.1A
Usable at 208V	38.3 A	

BEARING INFORMATION	
DE Bearing	6309 C3
ODE Bearing	6307 C3
Grease Type	Mobil Polyrex EM
DE Regreasing Interval	2400 Hours
ODE Regreasing Interval	3600 Hours
Grease Quantity	13g/8g

ADDITIONAL DATA	
F2 Suitable	Yes
Shaft Material	AISI 1045
Connection Diagram	9 Lead Wye
Approximate Weight	317.5 lbs.

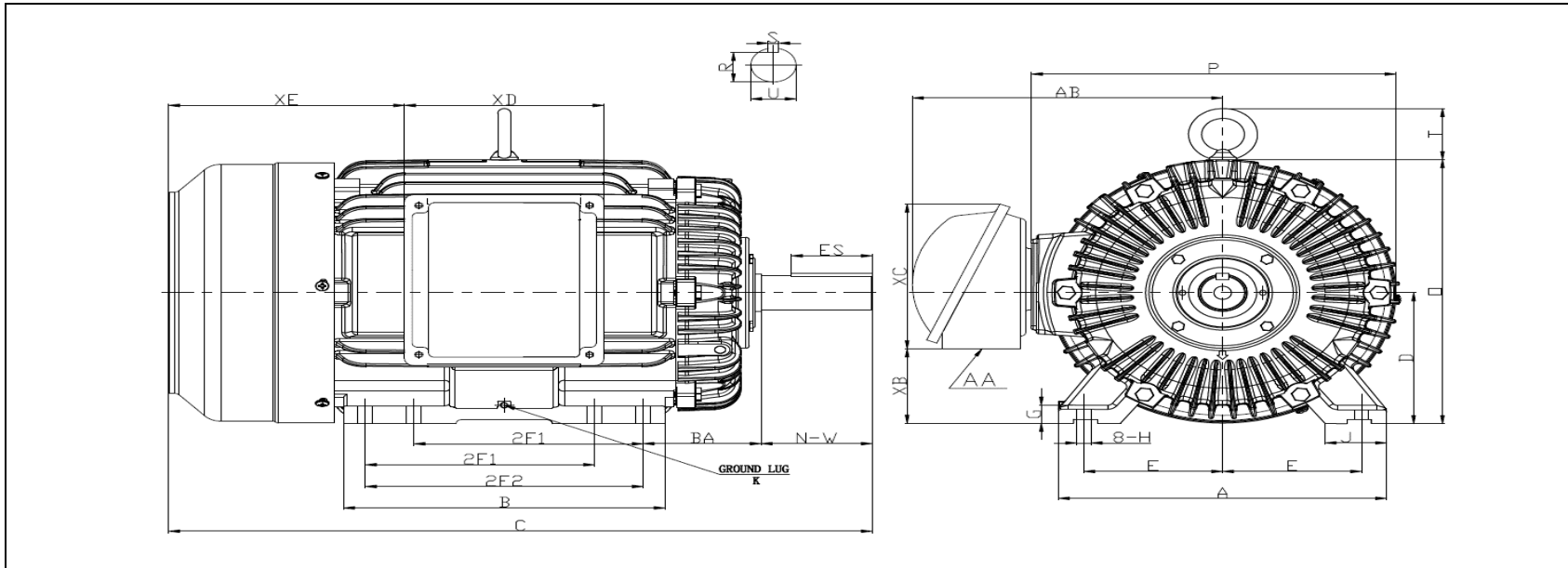
MOTOR DRAWING

Premium Efficiency Motor: **LAM15-18-254T**

WorldWide Electric Corporation

1 (800) 808-2131

Worldwideelectric.net



DIMENSION - INCHES

MOUNTING					A	B	C	D	G	J	P	O	T	AB
E	2F1	2F2	H	BA										
5	8.25	10	0.53	4.25	11.8	11.57	25.39	6.25	0.669	2.038	13.46	12.68	2.03	2.86

SHAFT & KEY				
S	ES	R	N-W	U
0.375	2.91	1.416	4	1.625

TERMINAL BOX				
AA	XB	XC	XD	XE
1-1/2 NPT	2.86	7.2	5.8	8.1

GROUND LUG
M8

PERFORMANCE CURVES

Premium Efficiency Motor:

LAM15-18-254T

WorldWide Electric Corporation

1 (800) 808-2131

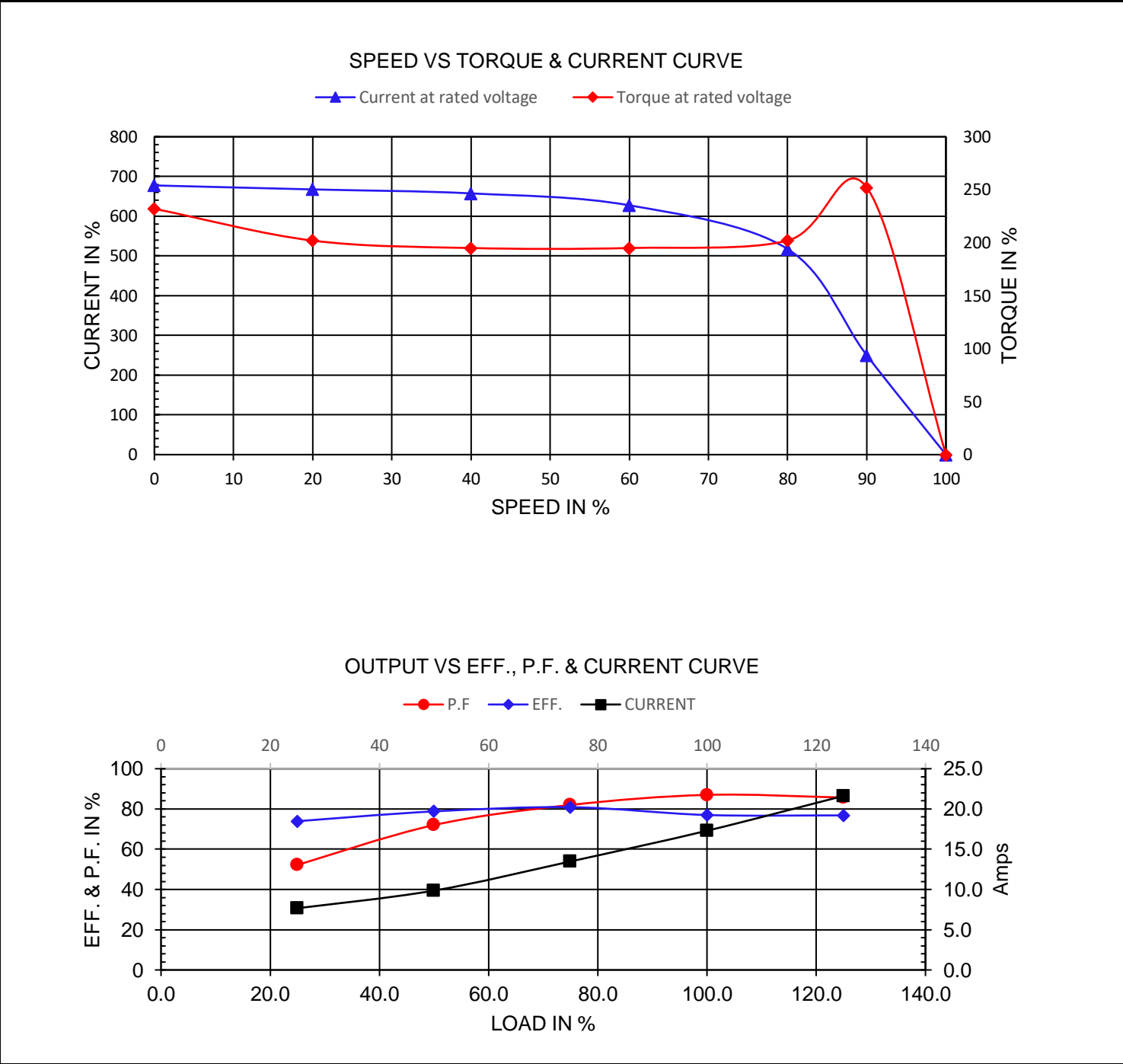
Worldwideelectric.net



Document Generated: 17-Jul-2023
Document ID:

Customer:

Motor Type	AEH3		FL Speed	1770	
Output Rating (HP)	15		LRT (%FLT)	232	460 volt FLA 17.3
Full Load Torque	43.7	lb.ft	BDT (%FLT)	252	230 volt FLA 34.6
Rotor Wk^2	2.03	lb-ft^2			



NAMEPLATE / WIRING

Premium Efficiency Motor: **LAM15-18-254T**

WorldWide Electric Corporation

1 (800) 808-2131

Worldwideelectric.net



Document Generated: 17-Jul-2023
Document ID:

Customer:

SAMPLE NAMEPLATE DATA

		THREE PHASE SEVERE DUTY MOTOR IEEE45																																					
Model :		Encl :	Type :	SN :			<table style="width: 100%; text-align: center;"> <tr><td>4</td><td>5</td><td>6</td></tr> <tr><td>7</td><td>8</td><td>9</td></tr> <tr><td>1</td><td>2</td><td>3</td></tr> <tr><td>L1</td><td>L2</td><td>L3</td></tr> <tr><td colspan="3">230 V</td></tr> <tr><td>7</td><td>8</td><td>9</td></tr> <tr><td>4</td><td>5</td><td>6</td></tr> <tr><td>1</td><td>2</td><td>3</td></tr> <tr><td>L1</td><td>L2</td><td>L3</td></tr> <tr><td colspan="3">460 V</td></tr> </table>			4	5	6	7	8	9	1	2	3	L1	L2	L3	230 V			7	8	9	4	5	6	1	2	3	L1	L2	L3	460 V		
4	5	6																																					
7	8	9																																					
1	2	3																																					
L1	L2	L3																																					
230 V																																							
7	8	9																																					
4	5	6																																					
1	2	3																																					
L1	L2	L3																																					
460 V																																							
HP :	Poles :	FR:	Ins:	Duty: Cont	IP :	Max Amb 40°C																																	
Hz :	CODE :		Hz :		Design :																																		
Volts :	P.F :		Volts :		DE BRG :																																		
Amps :	Eff :		Amps :		ODE BRG :																																		
RPM :	S.F :		RPM :		WT :																																		
			S.F :		Date :																																		
CC306B					LOUIS ALLIS <small>A WORLDWIDE ELECTRIC COMPANY</small>				UL certified Class I, Division II, Groups A,B,C,D T3B																														

Model:	LAM15-18-254T	Encl:	TEFC	Type:	AEH3	
HP:	15	Poles	4	FR:	254/6T	IP: 55
Hz:	60	CODE:	G	Hz	50	HP: 15
Volts:	230/460	P.F:	0.86	Volts:	190/380	Design: B
Amps:	34.6/17.3	Eff:	0.924	Amps	42.4/21.2	DE BRG: 6309 C3
RPM:	1770	S.F:	1.25	RPM	1460	ODE BRG: 6307 C3
				S.F:	1.00	WT: 317.5 lbs.