

# DATA SHEET

Premium Efficiency Motor: **IEC1.5-36-80,**

**60 Hz**

WorldWide Electric Corporation

1 (800) 808-2131

Worldwideelectric.net



Document Generated: 6-Dec-2021  
Document ID:

Customer:

MOTOR INFORMATION	
HP	1.5
RPM	3600
Phase	3
Frequency	60
Voltage	230/460
Frame Size	80
Enclosure	TEFC
Degree of Protection	IP55
Service Factor	1.15
Poles	2
Full Load Speed	3491
Insulation Class	F
Temp Rise	80°C
NEMA Code Letter	M
Duty Cycle	S1
Slip	3.03%
IEC Design	N
Moment of Inertia	0.0241 lb.ft.^2
Locked Rotor Time (Hot)	12 seconds
Sound Pressure Level	85 dB(A)
Number of Starts	2 Hot / 3 Cold
Max Ambient Temperature	40° C
Max Elevation	1000 m.a.s.l (3300 f.a.s.l)
Mounting	F3
Rotation	Bidirectional
Area of Classification	Safe
Inverter Rating	10:1 CT/20:1 VT
Standard	IEC 60034 and IEC 60072
Approvals	UL, CE

EFFICIENCY/POWER FACTOR		
LOAD	EFF	P. F.
100%	84.0 %	0.82
75%	84.4 %	0.76
50%	81.1 %	0.63

TORQUE		
FULL LOAD	LRT	BDT
2.994 lb.ft.	510 %	840 %

AMPERAGE INFORMATION		
	230V	460V
Full Load Amps	3.93	1.97
Locked Rotor Amps	39.18	19.59
No Load Current	2.09	1.04
Usable at 208V	--	--

BEARING INFORMATION	
DE Bearing	6204 ZZ
ODE Bearing	6303 ZZ
Grease Type	NS7
DE Regreasing Interval	-- Hours
ODE Regreasing Interval	-- Hours
Grease Quantity	--

ADDITIONAL DATA	
Multi-Mount	Yes
Shaft Material	AISI 1040/45
Connection Diagram	9 Lead Wye
Approximate Weight	11.7 kg

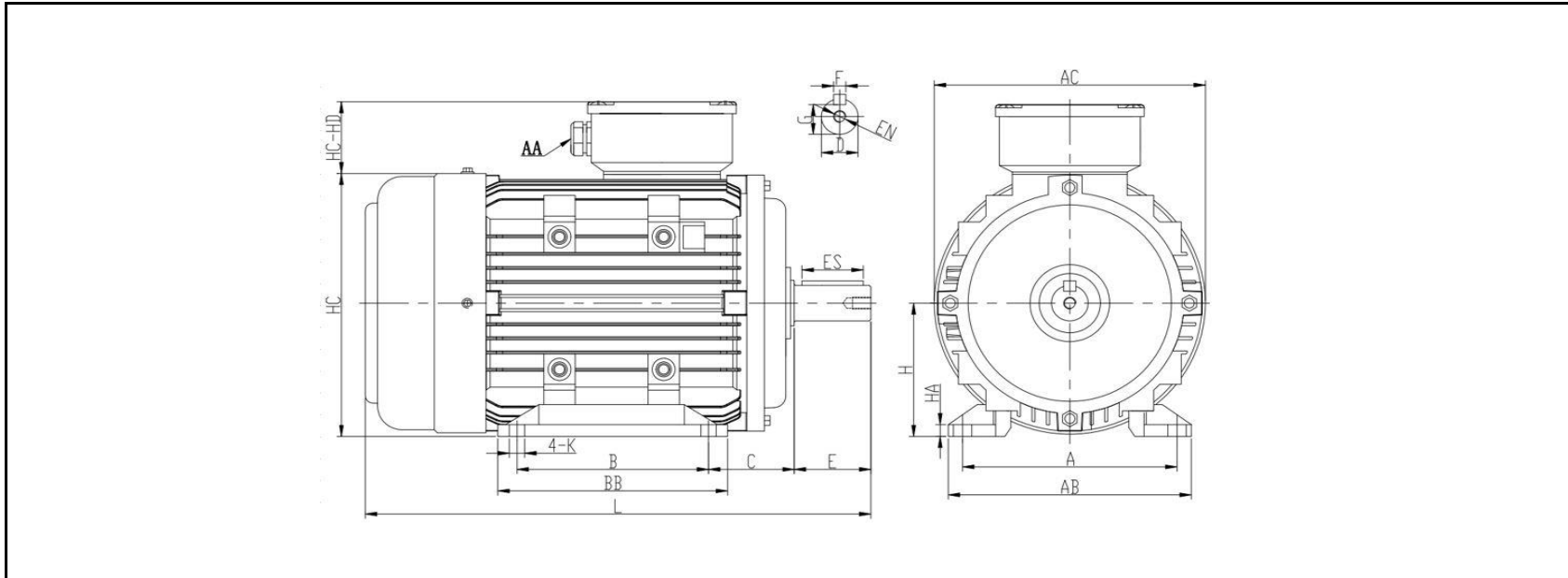
# MOTOR DRAWING

Premium Efficiency Motor: **IEC1.5-36-80**

WorldWide Electric Corporation

1 (800) 808-2131

Worldwideelectric.net



## DIMENSION - METRIC (mm)

MOUNTING					L	H	HA	AC	HC	K
A	B	C	AB	BB						
125	100	50	157	125	276	80	9	156	158	10

SHAFT & KEY					
F	ES	G	E	D	EN
6	28	15.5	40	19	M6*20mm

TERMINAL BOX	
AA	HD-HC
M20	47

# PERFORMANCE CURVES

WorldWide Electric Corporation

1 (800) 808-2131

Worldwideelectric.net



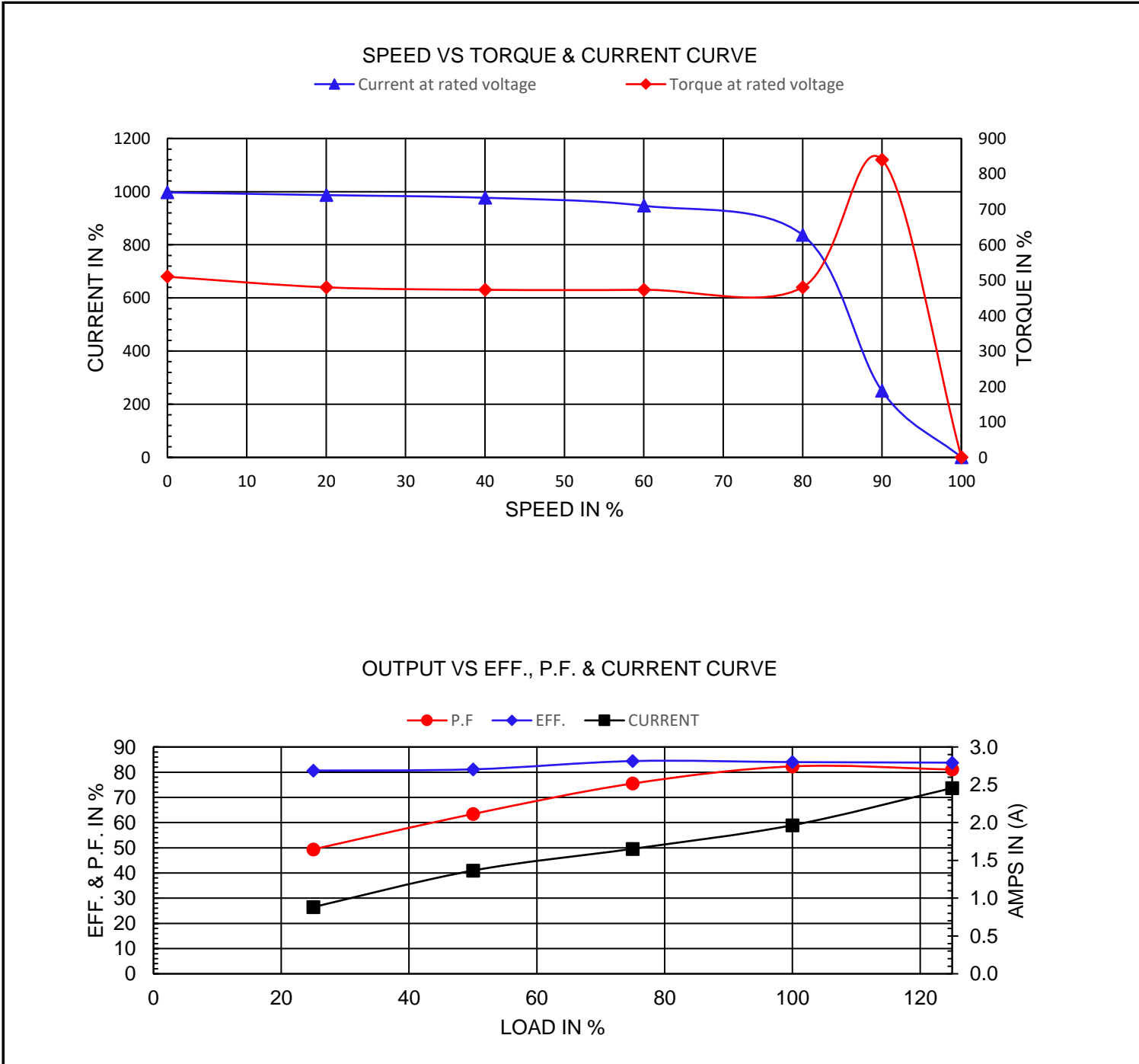
Premium Efficiency Motor:

**IEC1.5-36-80**

Document Generated: 25-Jan-2023  
Document ID:

Customer:

Motor Type					
Output Rating (HP)	1.5		FL Speed	3491	
Full Load Torque	2.994 lb.ft		LRT (%FLT)	510	460 volt FLA 1.97
Rotor Wk <sup>2</sup>	0.0241 lb-ft <sup>2</sup>		BDT (%FLT)	840	230 volt FLA 3.93



# NAMEPLATE / WIRING

Premium Efficiency Motor: **IEC1.5-36-80**

WorldWide Electric Corporation

1 (800) 808-2131

Worldwideelectric.net



Document Generated: 25-Jan-2023  
Document ID:

Customer:

## SAMPLE NAMEPLATE DATA

		<b>3-PHASE INDUCTION MOTOR</b>						<b>IE3 CE</b>			
		CC306B						IEC 60034-1			
TYPE			OUTPUT	HP	kW	INS.F	FR.			IP55	AMB.40°C
V	Hz	A	r/min	SF	IE CODE	η 100%	η 75%			η 50%	
						Code " " at 60Hz			Duty	S1	
						DES	N	DE BRG			
						IC	411	ODE BRG			
2Y						Y					
SN.						Date			Weight	kg	

TYPE	IEC1.5-36-80		OUTPUT	HP	1.5	kW	1.12	FRAME	80
V	Hz	A	r/min.	SF	IE CODE	η100%	η75%	η50%	
190/380	50	4.57/2.29	2856	1.00	IE3	82.7	84.9	83.5	
230/460	60	3.93/1.97	3491	1.15	IE3	84.0	84.4	81.1	

Code"	M	"at 60Hz	DE BRG	6204 ZZ	Weight	11.7 kg
			ODE BRG	6303 ZZ		