

1 2 3 4 5 6 7

A

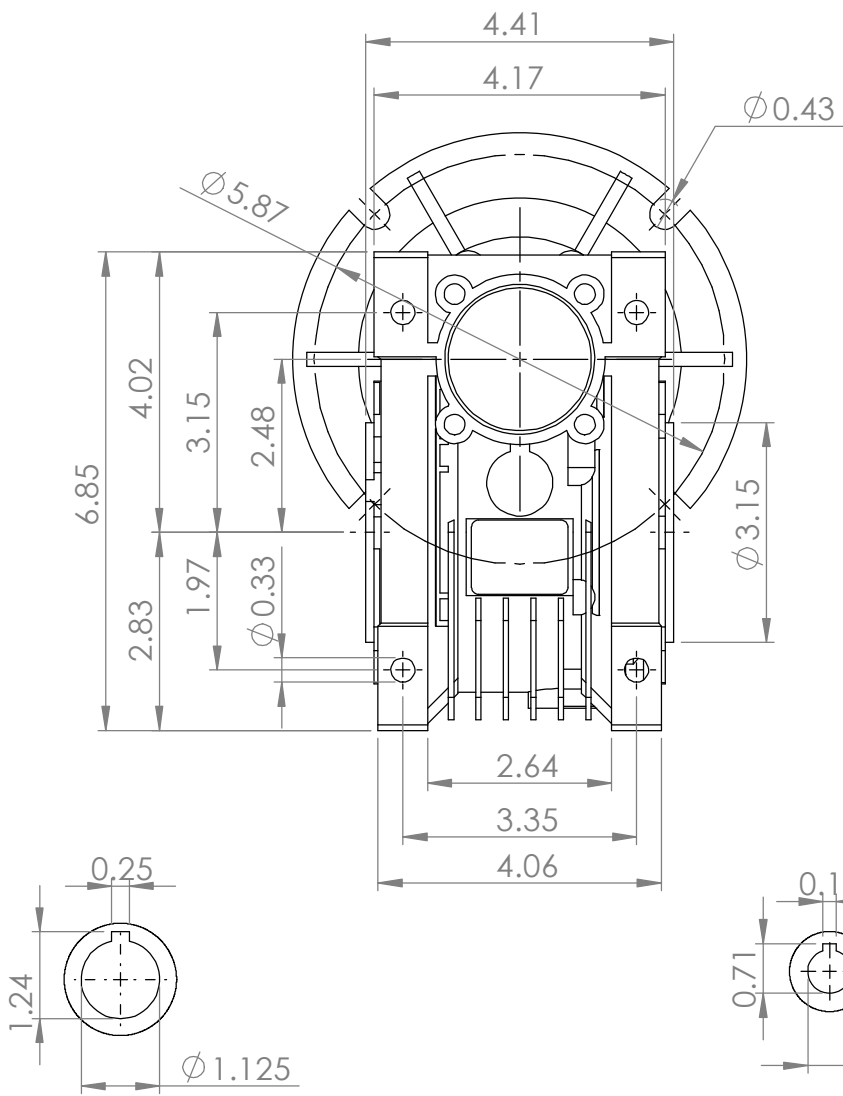
B

C

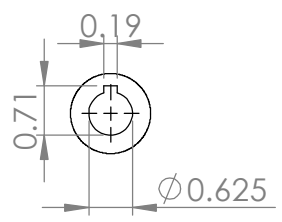
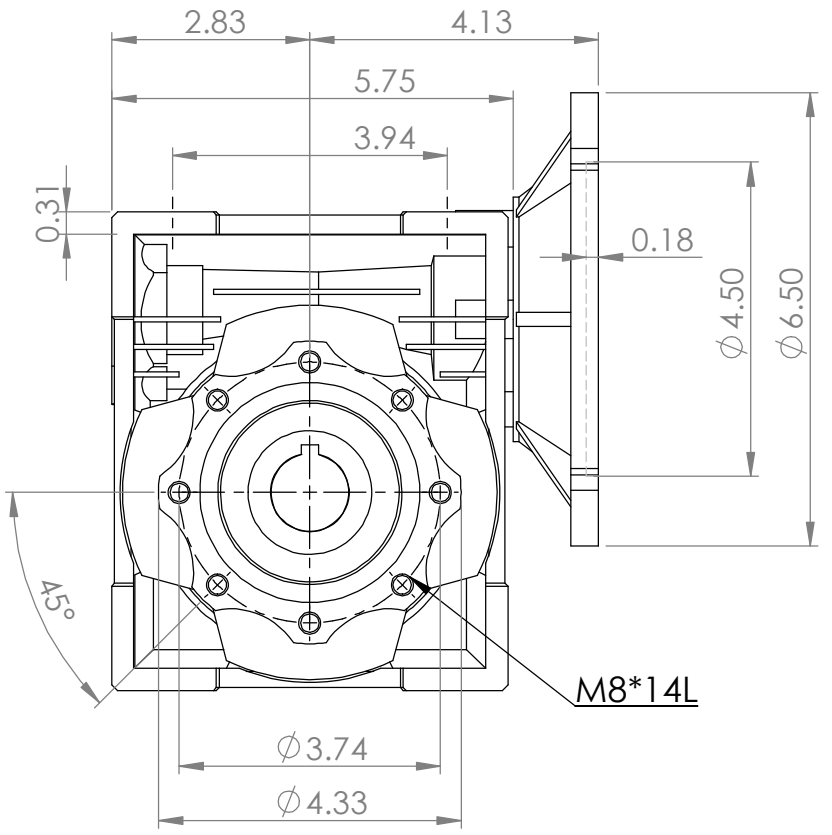
D

E

F



OUTPUT BORE



INPUT BORE

NO.	SECTION	ORIGIN	MODIFICATION	DATE	IN CHARGE

NO.	PART NO.	MATERIAL	PC	RAW MATERIAL	WEIGHT	NOTE

SCABBLE TOLERANCE	DWG.	2014.06.20	CHUN-YA	WORLD WIDE
>0 ±0.1	DESIGN.			
>6 ±0.2	APPR.			
>30 ±0.3				TITLE
>120 ±0.5				CALM63-56C
>315 ±0.8				CALM63-56C
MACHINING REQUIRED	DATE		NAME	DWG. NO.
~ NO-MACHINING				
▽ 50S	SCALE	1:2.75		
▽▽ 25S				
▽▽▽ 6S				
ANG. TOLERANCE ±0.5				

REV. A